

400-2410-001 EN20.1



Installation - Operation - Maintenance

Supplementary Instructions for X20-Detectors



Supplementary Instructions for X20-Detectors
Document version: 400-2410-001 EN20.1
– Translation –

Manufacturer:
GTE Industrieelektronik GmbH
Helmholtzstr. 21, 38-40
41747 Viersen
GERMANY

Support hotline: +49 (0)2162 / 3703-0
E-Mail: service@adicos.de

© 2019 GTE Industrieelektronik GmbH – This document and all figures contained may not be copied, changed, or distributed without explicit approval by the manufacturer!

Subject to technical changes!

Abstract

The *Advanced Discovery System* (in short: *ADICOS*) is used for early detection of fire scenarios in the industrial environment. It comprises different, independent detector units that enable interference-resistant fulfillment of the detection objective defined during planning via suitable layout and parameterization.

The detector units are connected using the *ADICOS M-bus* to a central unit, which enables voltage supply and parameterization of every individual detector, and which stores all sensor data for statistical analyses.

ADICOS X20-Detectors are designed for for operation within explosive atmospheres.

Contents

1	About this manual	3
1.1	Objective	3
1.2	Explanation of symbols	3
1.3	Storing this manual	3
2	Safety instructions	4
2.1	Intended use	4
2.2	Standards and regulations	4
2.3	Personnel qualification	5
2.4	Handling electrical voltage	5
2.5	Modification	5
2.6	Accessories and spare parts	5
3	Structure	6
3.1	Overview	6
3.2	Cable assignment	6
3.3	Display elements	7
4	Installation	8
4.1	Mounting	8
4.2	Wiring	9
5	Commissioning	9
6	Operation	9
7	Maintenance	10
7.1	Detector replacement	10
8	Specifications	10
9	Appendix	11
9.1	ADICOS mounting plate	11

1 About this manual

1.1 Objective

This manual describes the special requirements on installation, wiring, commissioning, and operation of *ADICOS detectors* for explosive atmospheres. They are exclusively addressed to knowledgeable specialist personnel (→ *Chap. 2, Safety instructions*).

1.2 Explanation of symbols

This manual features a continuous structure for best possible comprehension. The following labels are used.

Warning signs

This manual uses the following information types.

**NOTE!**

This information type provides information directly important for further system operation.

**WARNING!**

This information type signals a danger that can lead to fatal or severe injuries.

**DANGER!**

This information type signals a danger that directly leads to fatal or severe injuries.

1.3 Storing this manual

Store this manual easily reachable and in direct vicinity of the detector system to enable use as needed.

2 Safety instructions

ADICOS detectors for explosive atmospheres (*ADICOS X20-Detectors*) ensure operational safety assuming proper installation, commissioning, operation, and maintenance. For this purpose, it is absolutely required to completely read, understand, and follow these instructions and the safety information contained.

**WARNING!**

Installation and operating errors can lead to fatal and severe injuries and damage to the industrial plant.

- **Read and follow these instructions carefully!**

2.1 Intended use

ADICOS X20-Detectors are designated for the detection of fire scenarios in potentially explosive atmospheres of zones 20, 21, and 22. In this context, the operating parameters described in Chap. 8, »Specifications« must be met. Any deviating use requires prior consultation with the manufacturer.

Compliance with this manual as well as all applicable country-specific provisions is also part of the intended use.

2.2 Standards and regulations

The safety and accident prevention regulations applicable for the specific application must be observed during detector installation, commissioning, maintenance, and test.

The following standards and directives are of particular importance when handling potentially explosive atmospheres:

Regulation	Description
2014/34/EU	European ATEX Directive
1999/92/EC	European ATEX Operation Directive
89/686/EEC	European Personal Protective Equipment Directive
DIN EN 60079	Explosive atmospheres
DIN EN 60529	Degrees of protection provided by enclosures
DIN EN 60691	Thermal-links - Requirements And Application Guide

2.3 Personnel qualification

Any work on the control may only be performed by qualified personnel. Persons, who can perform work on electrical systems and recognize possible dangers based on their professional education, knowledge, and experience as well as knowledge of the applicable provisions, are considered qualified personnel.

**WARNING!**

Installation, commissioning, parameterization, and maintenance may only be performed by authorized and respectively trained personnel

2.4 Handling electrical voltage

**DANGER!**

The electronics of ADICOS X20-Detectors works with an electrical voltage that can trigger an explosion in potentially explosive atmospheres.

- **Do not open enclosure!**
- **De-energize the entire detector system and secure against unintentionally reactivation for all wiring work!**

2.5 Modification

**WARNING!**

Any form of unauthorized modifications or extensions are expressly prohibited!

- **In case of doubt, contact the manufacturer!**

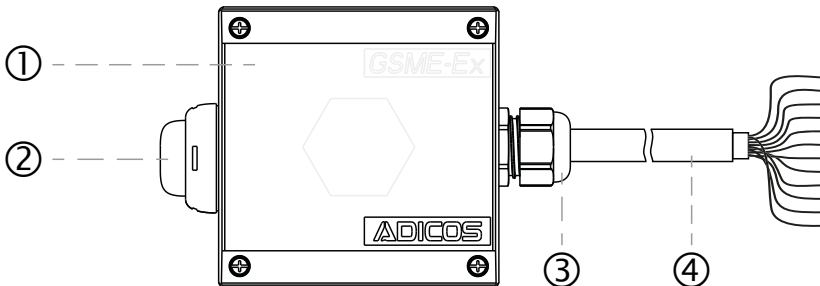
2.6 Accessories and spare parts

**WARNING!**

Only original spare parts provided by the manufacturer may be used!

3 Structure

3.1 Overview



No.	Description
①	Detector enclosure
②	Signal lamp cap
③	Ex cable gland
④	Ready-made ADICOS connection cable

3.2 Cable assignment

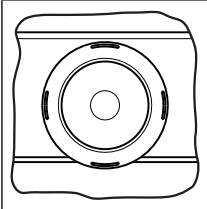
Wire	Color	Signal	Signal limit contact
1	black	Operating voltage 24 ... 40 V DC non-polarized	
1	white		
2	black	Relay output X6 i	Alarm NO ¹
2	white	Relay output X6 o	Alarm NO ¹
3	black	Relay output X7 o	Fault NC
3	white	Relay output X7 i	Fault NC
4	black	M-bus max. 40 V non-polarized	
4	white		

¹ with series resistor, standard 680 Ω

Analog signal option

Wire	Color	Signal	Auxiliary relay
5	black	Analog signal - protected against polarity reversal	
5	white	Analog signal - protected against polarity reversal	NC
6	black	Analog signal	NO
6	white	Analog signal	C

3.3 Display elements

Signal calotte	
<p>The signal calotte is a translucent element, through which the status LED of the Ex/X20 detector located inside the enclosure can be seen.</p> <p>The light signals of the ADICOS X20-Detectors are identical to the signals of the non-Ex ADICOS detectors.</p>	

4 Installation

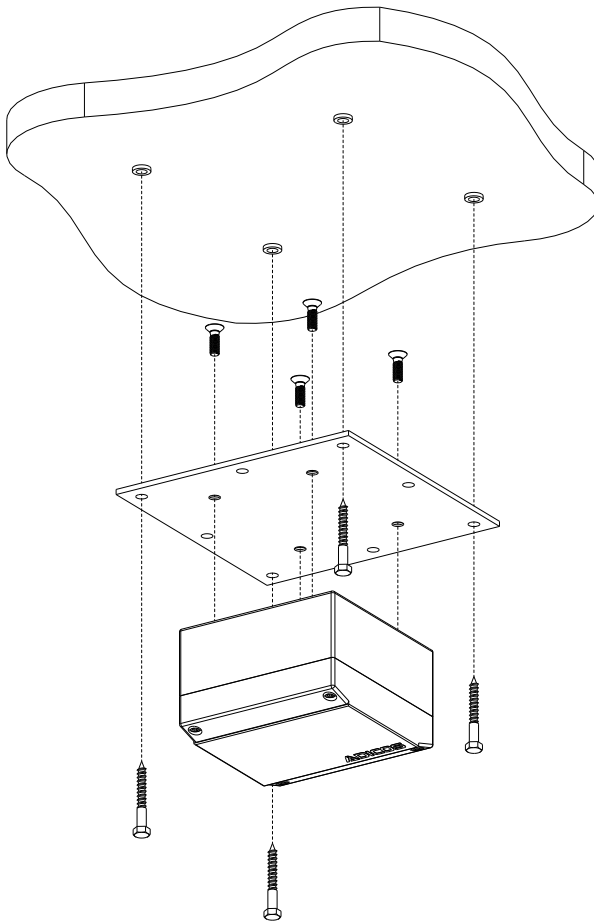
4.1 Mounting



WARNING!

ADICOS X20-Detectors must be mounted with closed enclosure.

- **Do not open enclosure!**
- **Use ADICOS mounting plate!**



4.2 Wiring

**DANGER!**

The electronics of ADICOS X20-Detectors works with an electrical voltage that can trigger an explosion in potentially explosive atmospheres.

- **Do not open enclosure!**
- **De-energize the entire detector system and secure against unintentionally reactivation for all wiring work!**
- **In the case of wiring within potentially explosive atmospheres, only use Ex-protected connection boxes with respective approval!**
- **Do not bend connection cable! Observe minimum bending radius!**
(→ Chap. 8, Specifications)

5 Commissioning

**DANGER!**

The electronics of ADICOS X20-Detectors works with an electrical voltage that can trigger an explosion in potentially explosive atmospheres.

- **Prior to switching on, check that all detectors are properly mounted and wired!**

6 Operation

**DANGER!**

The electronics of ADICOS X20-Detectors works with an electrical voltage that can trigger an explosion in potentially explosive atmospheres.

- **Never open the enclosure or loosen the cable gland during operation!**

7 Maintenance

7.1 Detector replacement



DANGER!

The electronics of ADICOS X20-Detectors works with an electrical voltage that can trigger an explosion in potentially explosive atmospheres.

- **Do not open enclosure!**
- **De-energize the entire detector system and secure against unintentionally reactivation for all disassembly work!**
- **Replace the closed detector including connection cable only!**

8 Specifications

Specifications regarding explosion protection			
		GSME-X20	HOTSPOT-X20
Explosion protection class:	°C	Ex ta IIIc 105°C Da / IP6x	Ex ta IIIc 105°C Da / IP6x
Surface temperature:		< 105	< 105
Device group:		II, category 1D	II, category 1D
Type approval:		Certificate according to 2014/34/EU	Certificate according to 2014/34/EU
Bending radius connection cable		mm	> 91,5



NOTE!

ADICOS X20-Detectors are rated **Protection by enclosure "ta"**.

- **An Ex barrier is not mandatory!**

9 Appendix

9.1 ADICOS mounting plate

